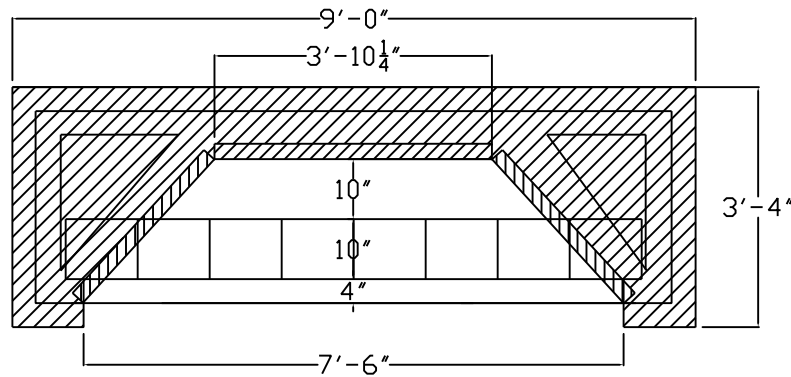


Section Elevation

Bill of Materials

- 8-12" Rumford Throats
- 1-Left coving section
- 1-right coving section
- 1-24"x32" smoke chamber
- 1-60" vestal damper
- 1-modified damper handle
- as needed - 24"x32" custom flues

Elevation



Plan View

20d

Note: supply adequate make up air