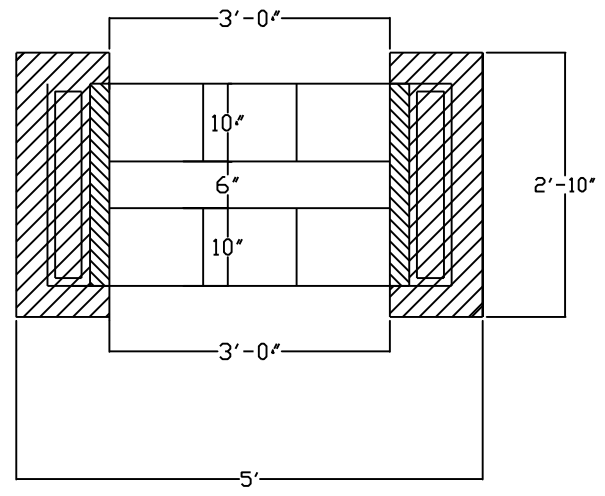


BILL OF MATERIALS

- 6 - 12" Throat Tile
- 1 - VESTAL Damper
- 1 - Modified Damper Handle
- 1 - Custom 18 x 18 S.C.
- ? - 18 x 18 Flue Liner



ST1.1

Note: supply adequate make up air