

Section Elevation

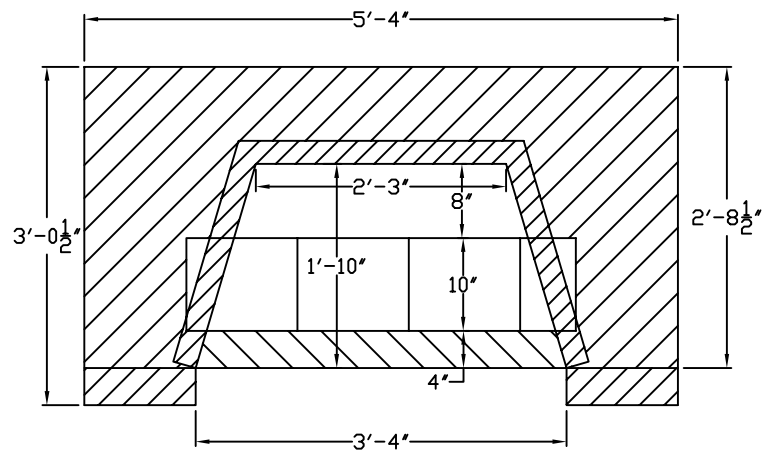
Elevation

Bill of Materials

- 4-12" Rumford Throat Sections
- 1- Set of Covings (optional)
- 1-30" Vestal Damper
- 1-Modified Damper Handle
- 1-13x13 modified Smoke Chamber (for 30" vestal damper)

as needed - 13x13 flues

ESH-10.19.18



Plan View

Note: Provide adequate make up air.