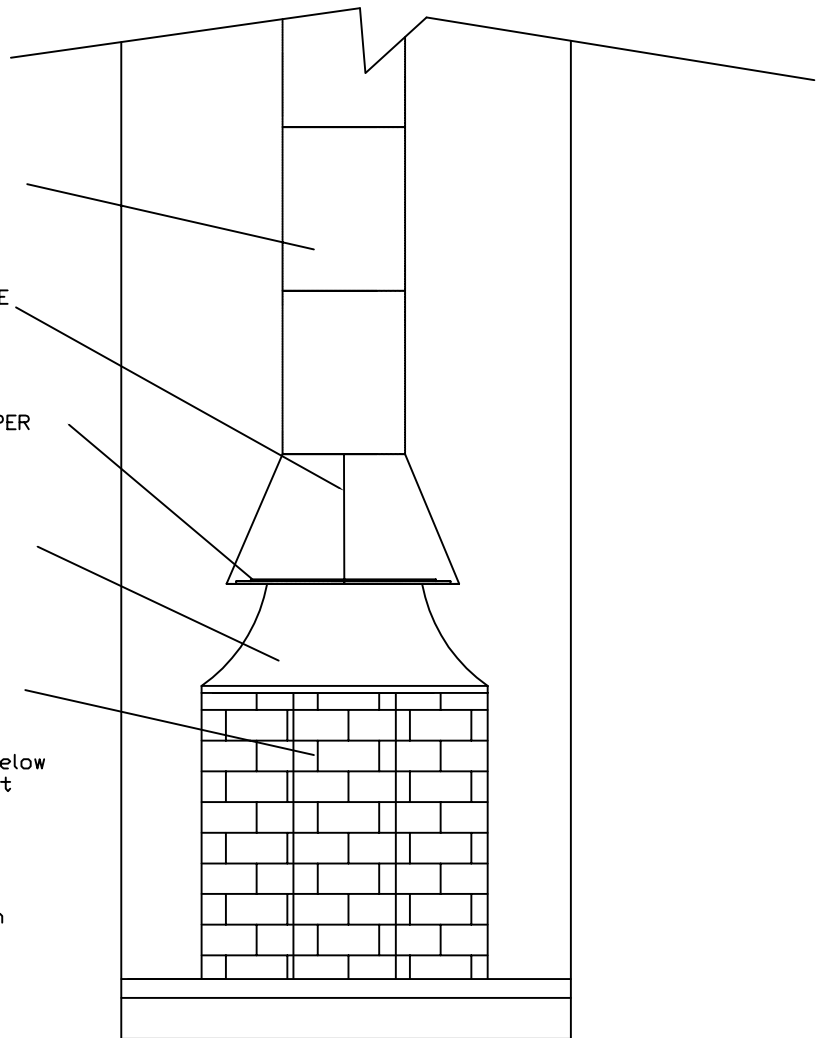


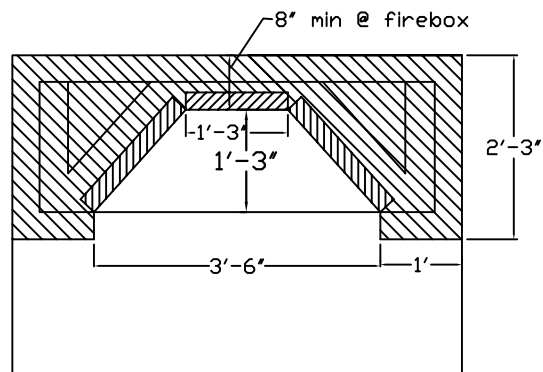
Elevation - Section



Elevation

Bill of Materials

- 1- 42" Rumford Throat
- 1- 13x18 Smoke Chamber
- 1- Large Flat damper (30")
as needed - 13x18 flues



Plan - View

3

Note: Provide adequate make up air