

Section - Elevation

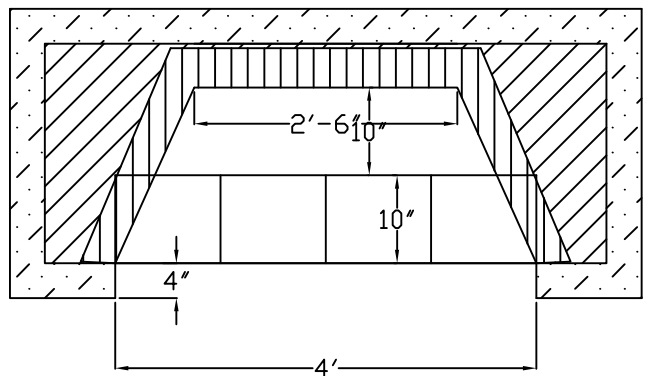
Elevation

BILL OF MATERIALS

- 4 Throat Tile
- 1 13x18 modified smoke chamber (for 36" vestal damper)
- 1 36" Vestal Damper
- 1 Modified Damper Handle
- as needed- 13x18 flues

#LG-3-25-2014

Note: supply adequate make up air



Plan View

48" Modified Rumford