

Section-Elevation

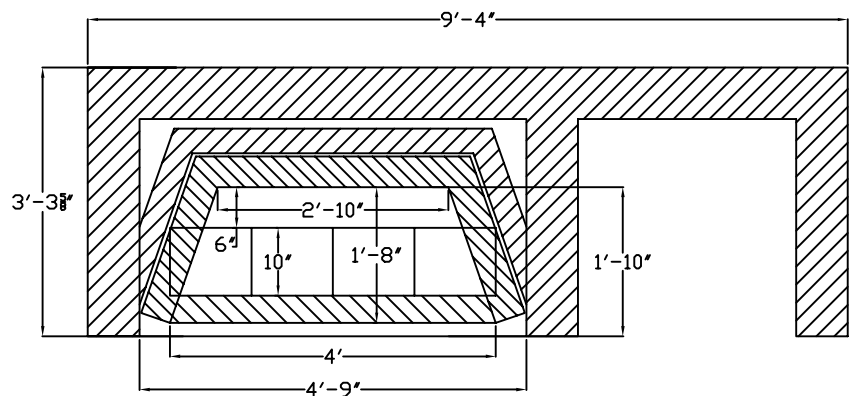
Elevation

Bill of Materials

- 4-12" Rumford Throat Section
- 1-Coving Set (2 pcs)
- 1-42" Vestal Damper
- 1-Modified Damper Handle
- 1-13x18 Modified Smoke Chamber
- (for 42" Vestal Damper)
- as needed- 13x18 flues

#4837 6-8-18

Note: Supply adequate make up air



Section-Plan

Modified 48" Rumford