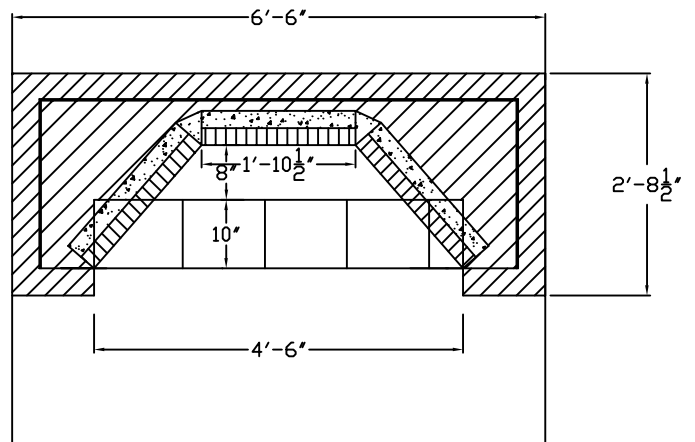


BILL OF MATERIALS

- 5 Throat Tile
- 1 20x20 Smoke Chamber
- 1 36" Vestal Damper
- 1 Modified Damper Handle
- 1 20x20 Flue Liners-2' L or 1' L



Note: supply adequate make up air