

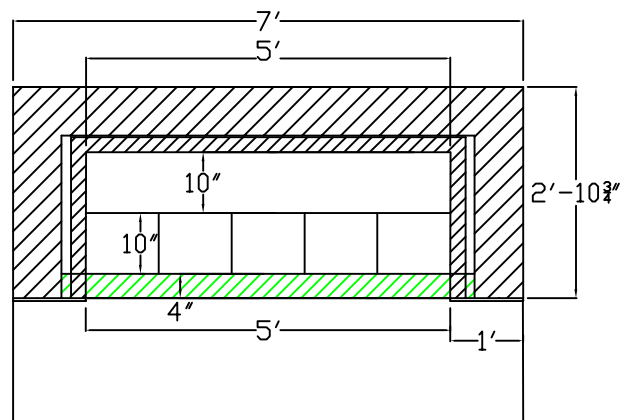
Section— Elevation
 Bill of Materials

6—12"Rumford Throat Sections

1—13x18"modified smoke chamber
 as needed—13x18" flues

#CEL6-23-15

Outdoor Fireplace



Plan View