

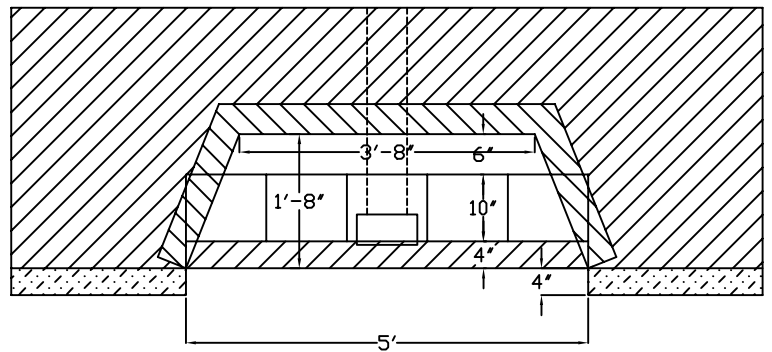
SECTION-ELEVATION

Bill of Mat'ls

- 5-12" Rumford Throat Sections
- 1-coving set (2pcs)
- 1-54" Vestal Damper
- 1-Modified Damper Handle
- 1-16x20 Modified Smoke Chamber (for 54" damper)
- 1-outside air kit
- as needed- 16x20 flues

#5436 6-24-2019

Note: Supply adequate make up air.



SECTION-PLAN VIEW