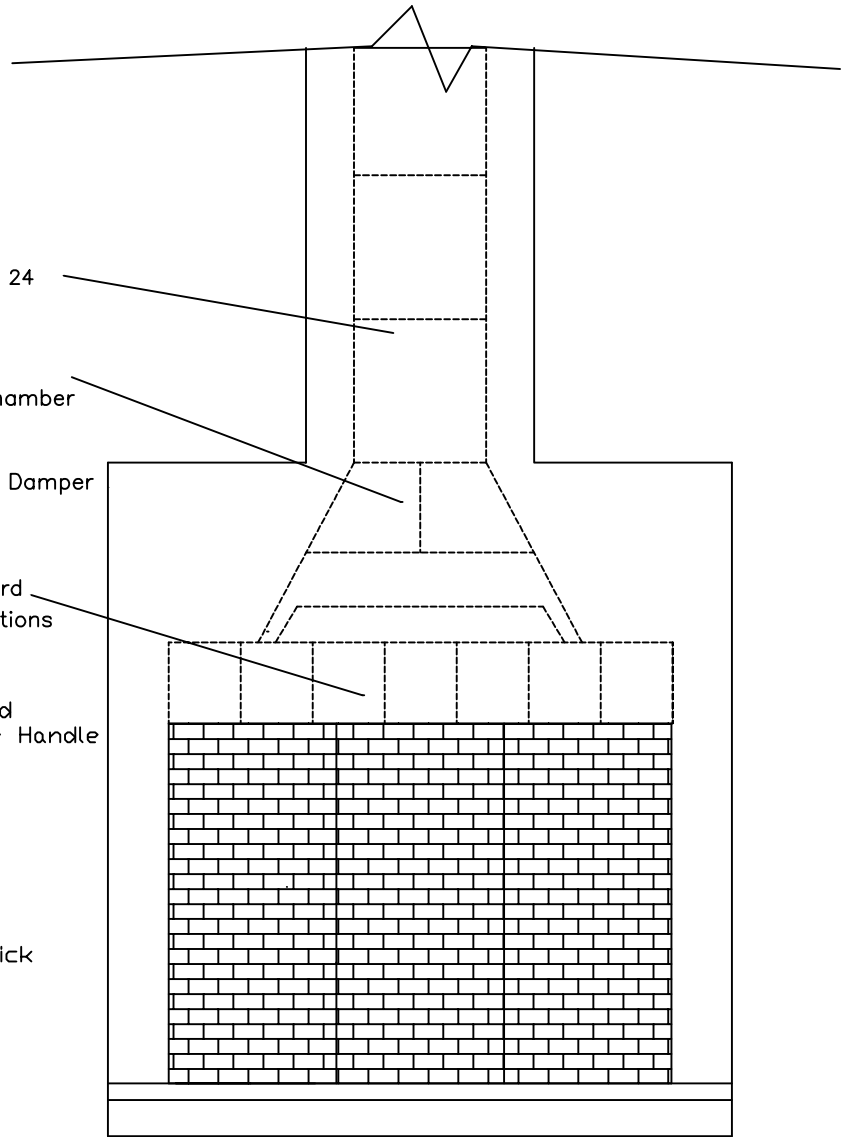


Section— Elevation



Elevation

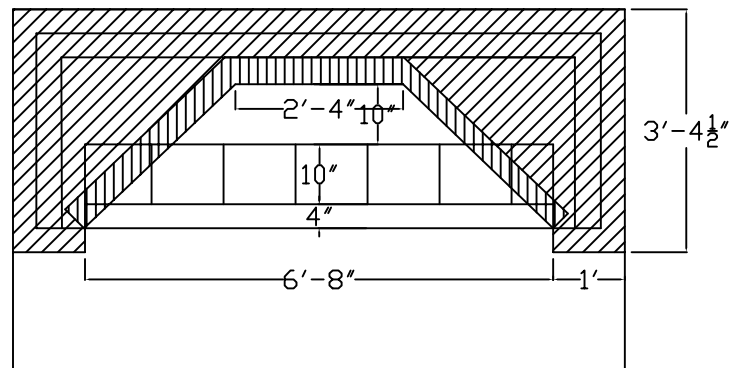
Bill of Materials

- 8— 12" Throat Sections
- 1— Coving Section Set
- 1— 48" Vestal Damper
- 1— Modified Damper Handle
- 1— 24"x24" Smoke Chamber

as needed—24"x24"

#80x60 1-24-20

NOTE: SUPPLY ADEQUATE MAKE UP AIR



Plan View