

Elevation

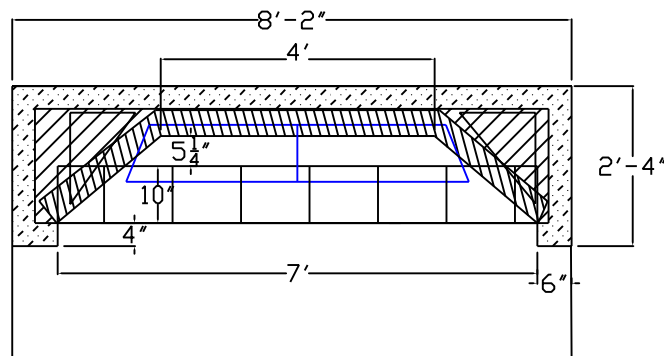
Section— Elevation

Bill of Materials

- 8—12"Rumford Throat Sections
- 1— 60" Vestal Damper
- 2—Modified Damper Handle
- 1—12x12"custom offset smoke chamber as needed—13x13" flues

#CEL9-27-13c

Note: Provide adequate make up air



Plan View



ERROR: syntaxerror  
OFFENDING COMMAND: --nostringval--

STACK:

/Title  
( )  
/Subject  
(D:20130930152116-04'00')  
/ModDate  
( )  
/Keywords  
(PDFCreator Version 0.9.5)  
/Creator  
(D:20130930152116-04'00')  
/CreationDate  
(C.A.D.2)  
/Author  
-mark-