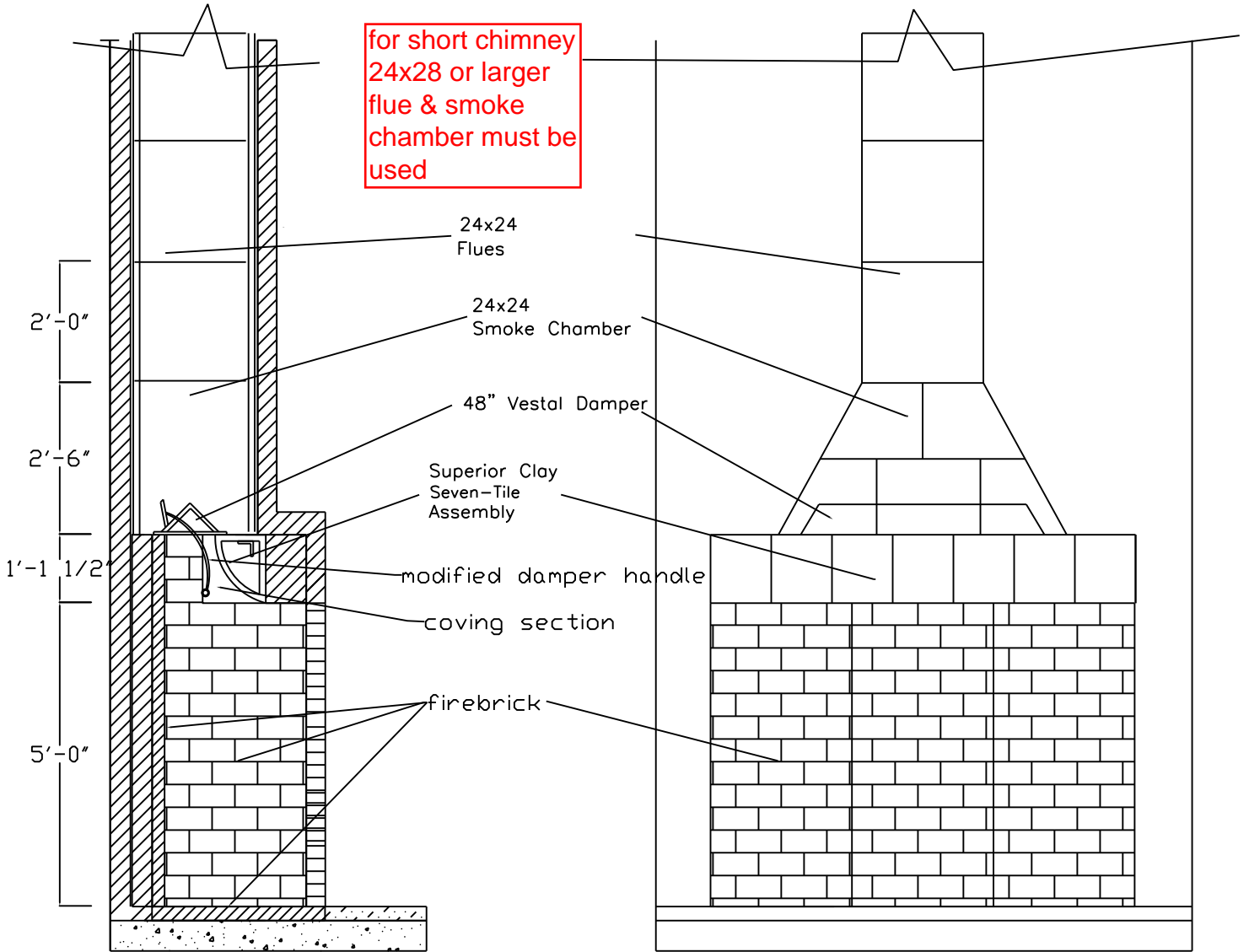
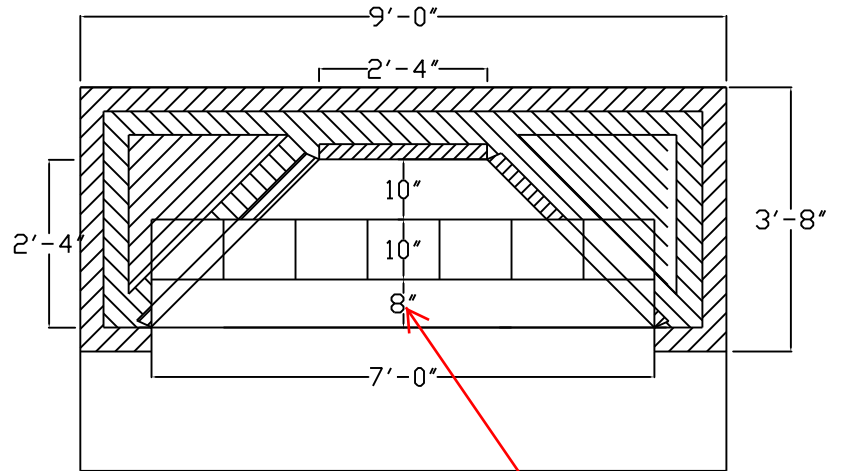


for short chimney
24x28 or larger
flue & smoke
chamber must be used



20.1



can vary as desired

Note: supply adequate make up air