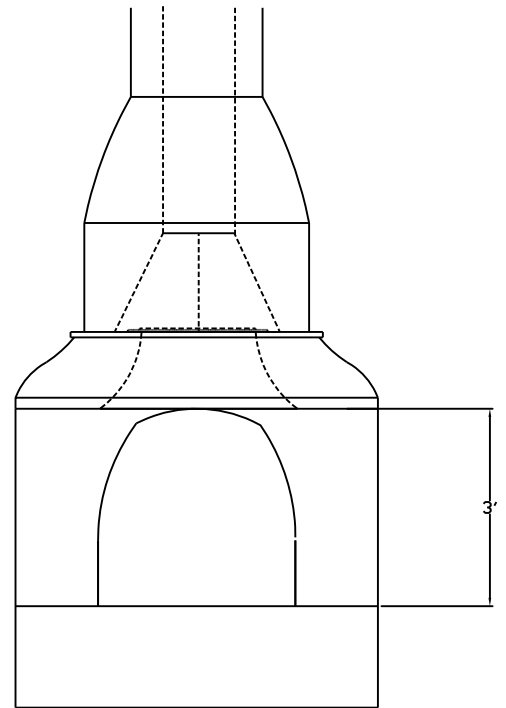


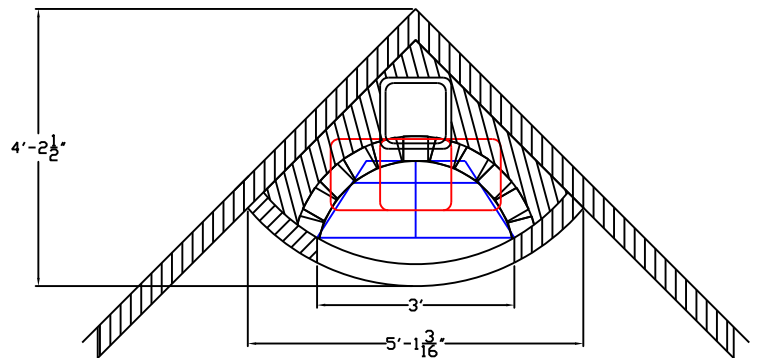
Section Elevation



Elevation

Bill of Material  
 1-36" Rumford Throat  
 1-13x13 Smoke Chamber  
 1-small flat damper  
 as needed - 13x13  
 flues

(K3)



Plan View

Note: supply adequate make up air