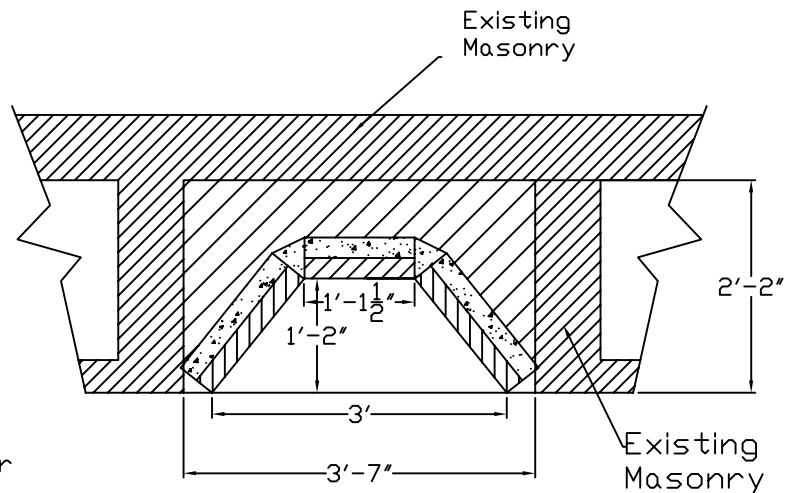


- Bill of Mat'ls
- 1-36" Rumford Throat
 - 1-Small Flat Damper(24")
 - 1-13x13 Smoke Chamber
 - 1-Herringbone Panel Set (3pcs see cut sheet)

#FT-5-30-2019

Note: Supply adequate make up air



Section-Plan

36" Rumford in existing Masonry prefab alcove